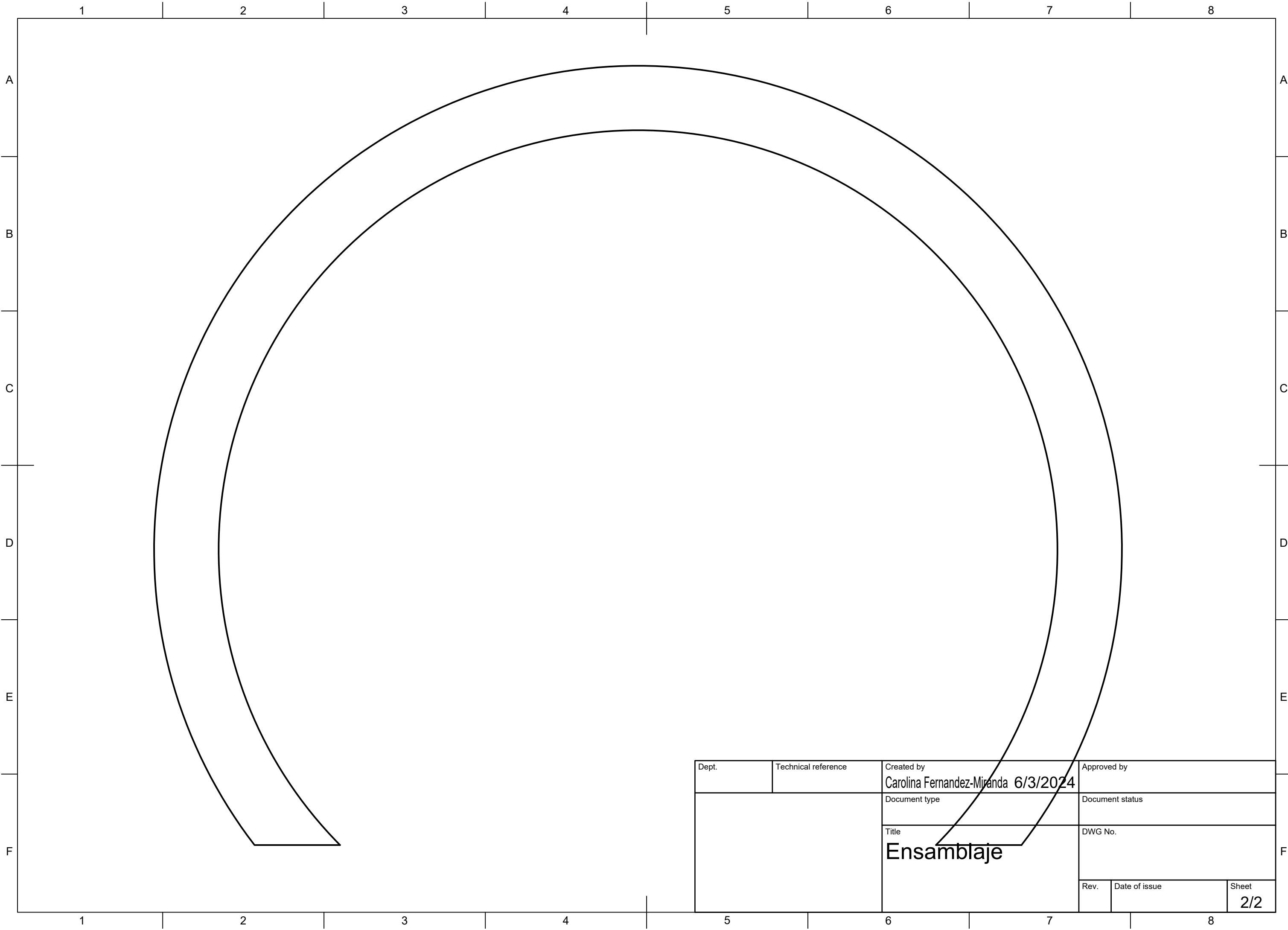


Dept.	Technical reference	Created by Carolina Fernandez-Miranda 6/3/2024	Approved by
		Document type	Document status
		Title Ensamblaje	DWG No.
Rev.	Date of issue		Sheet 1/2



Dept.	Technical reference	Created by Carolina Fernandez-Miranda 6/3/2024	Approved by
		Document type	Document status
		Title Ensamblaje	DWG No.
		Rev.	Date of issue
		Sheet 2/2	